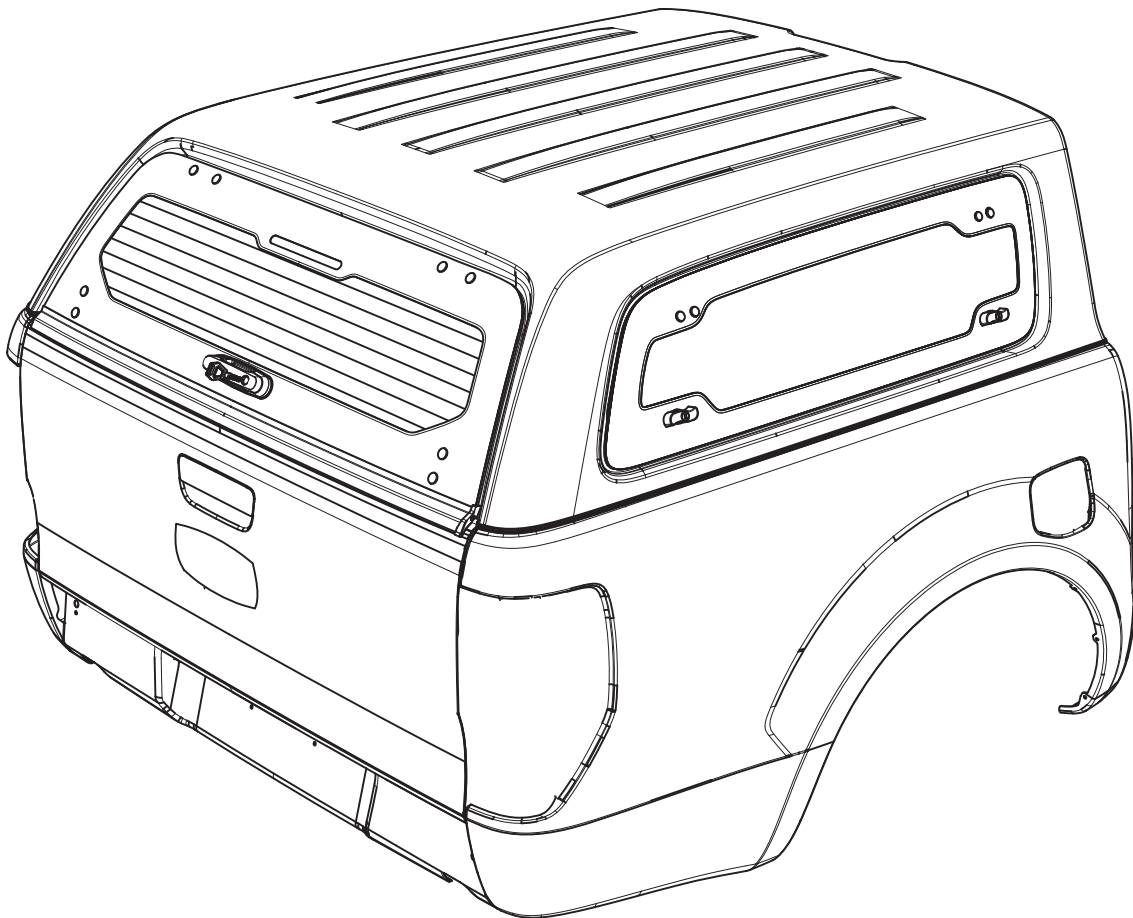


*Off Road
& Car Styling*

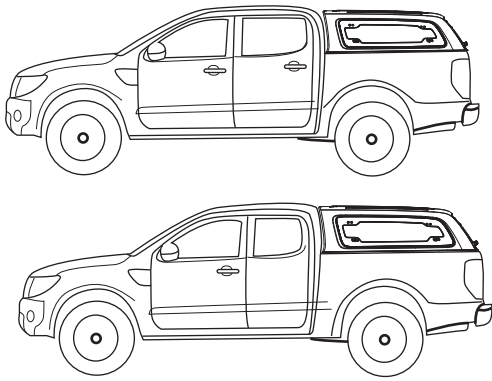


Montageanleitung Hardtop Ford Ranger

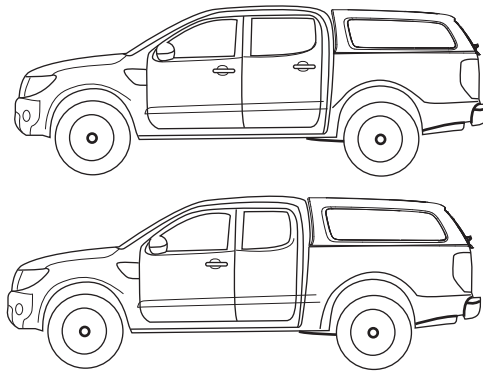
Zubehörspezialist für Geländewagen
Pick-Up's & Suv's
Tel. 0 49 61 / 83 81 48 Fax: 0 49 61 / 83 81 49
info@Off-Road-Reuter.de
www.off-road-reuter.de



STYLISH

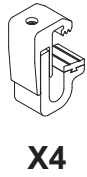
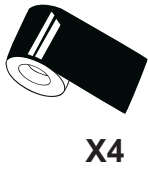


COMMERCIAL



D/C

RAP

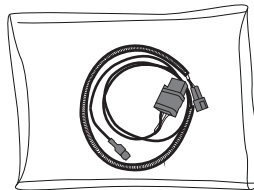
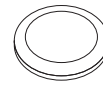
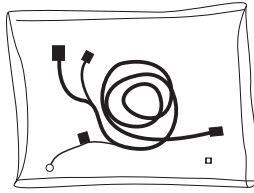
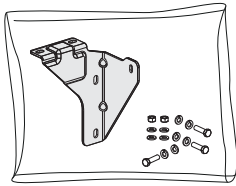


C-CLAMP COVER
(OPTION)

WITH CARGO BOX LAMPS

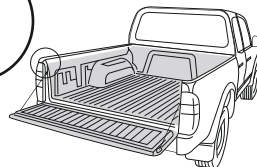
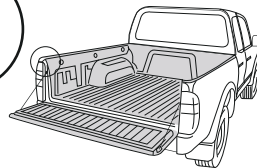
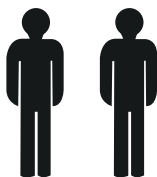
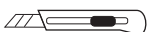
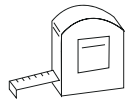
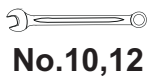


WITH OUT CARGO BOX LAMPS

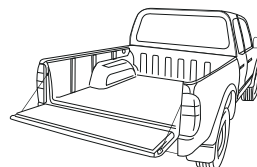


DEMIST OPTION WIRE

SPECIAL TOOLS

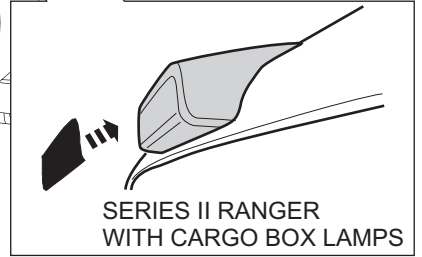
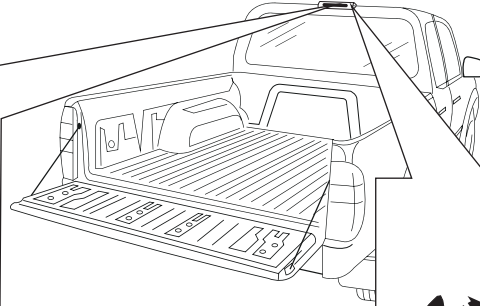
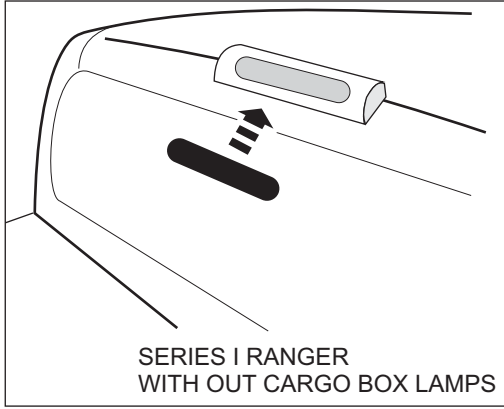


1-17

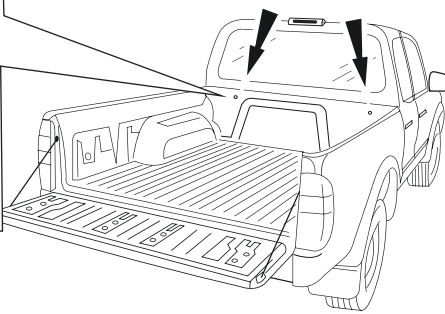
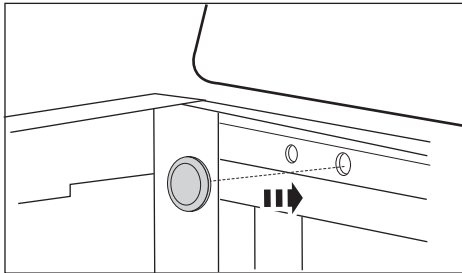


1-17

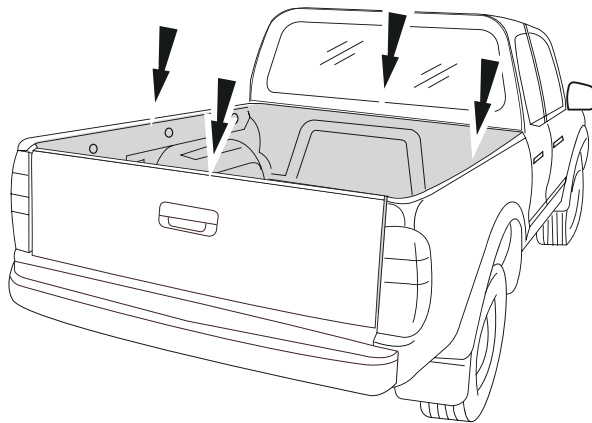
1



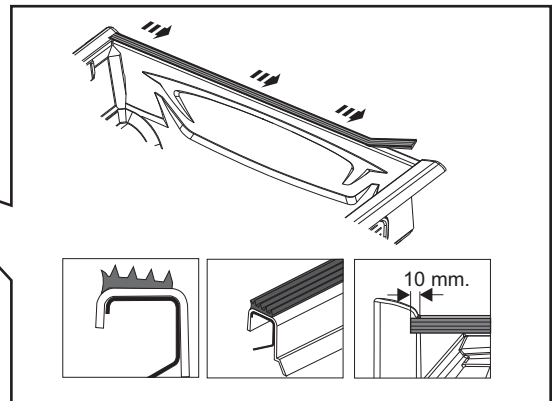
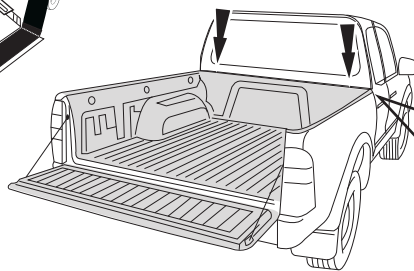
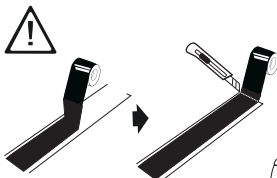
2



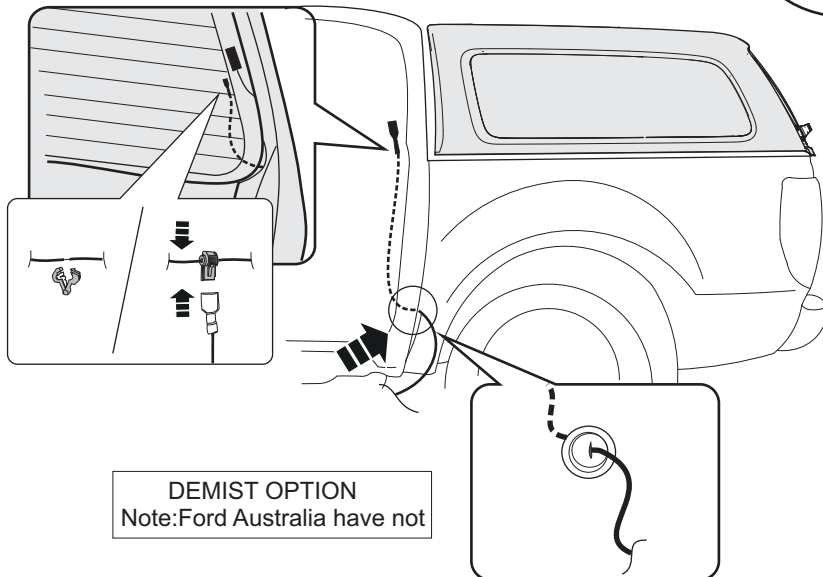
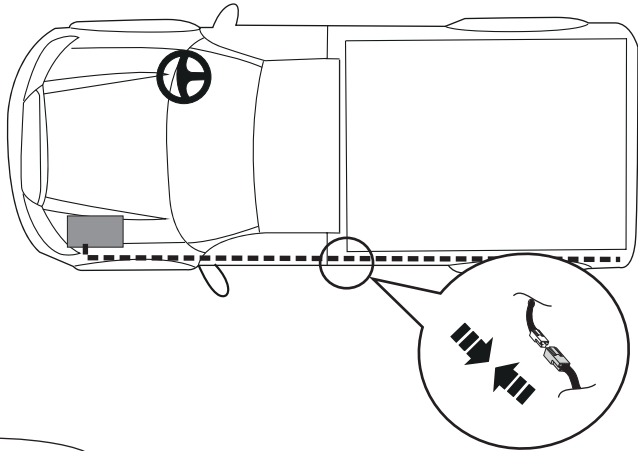
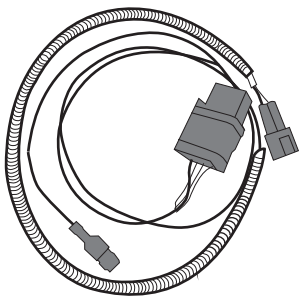
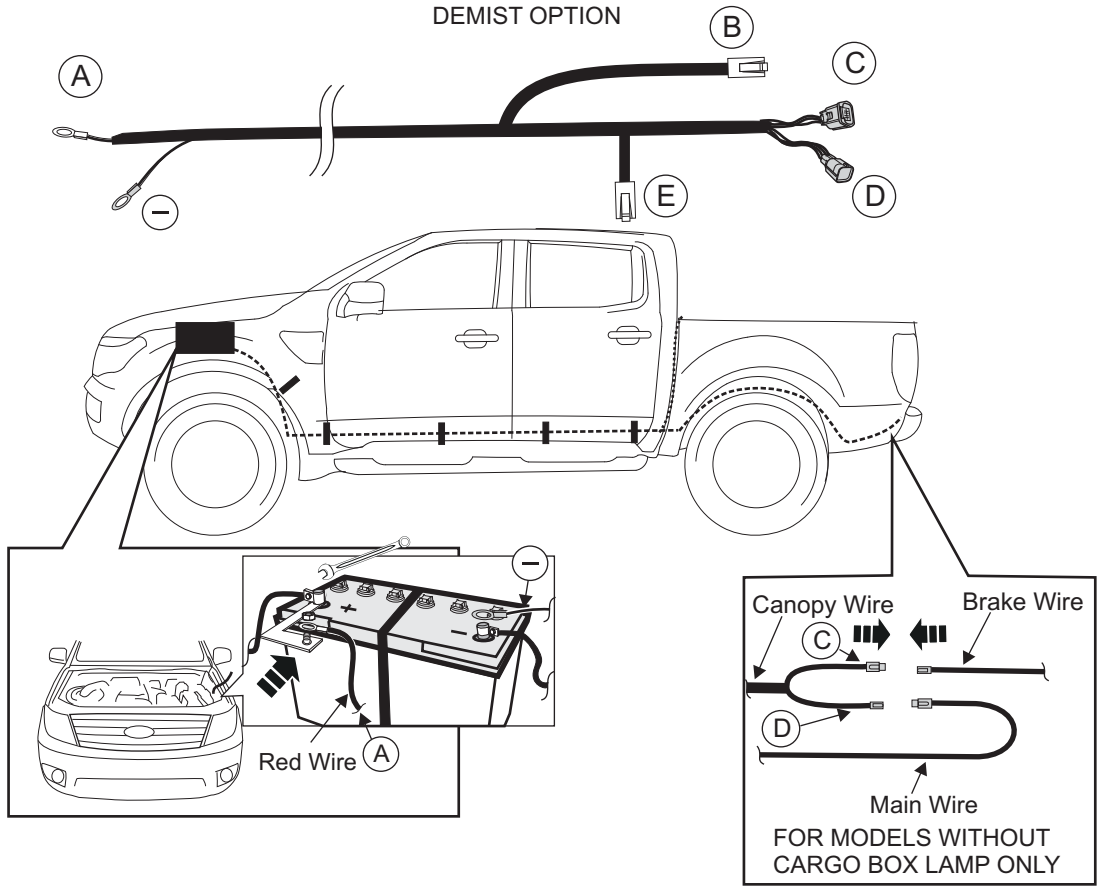
3



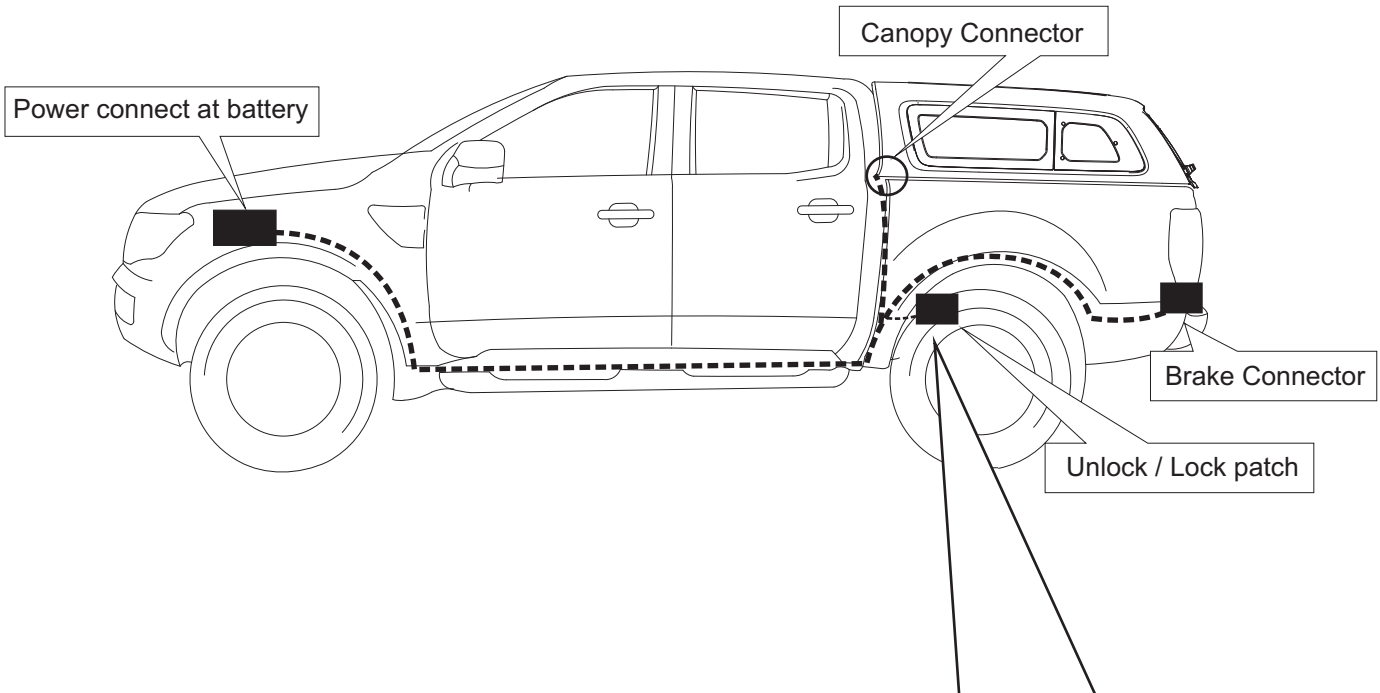
4



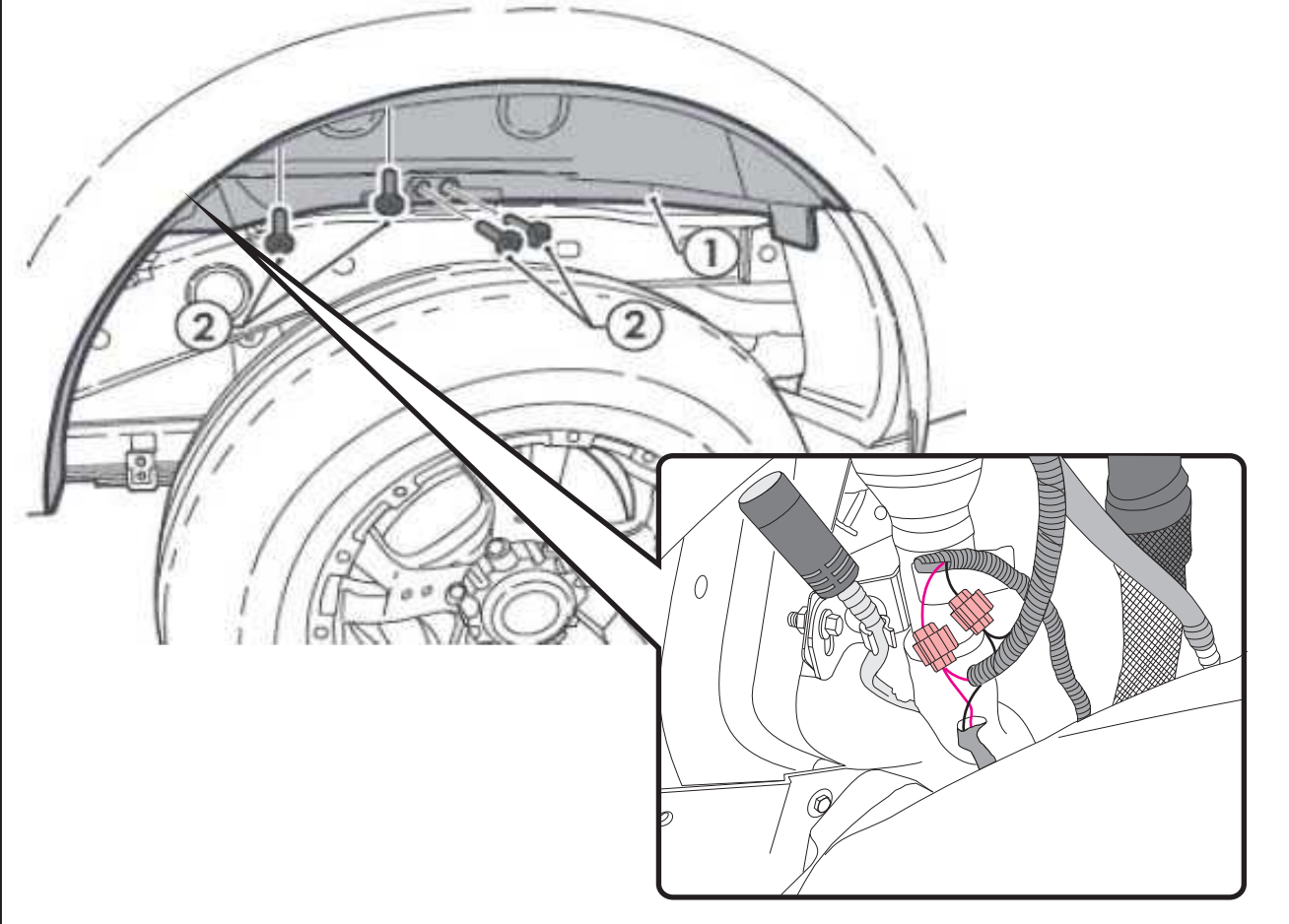
DEMIST OPTION



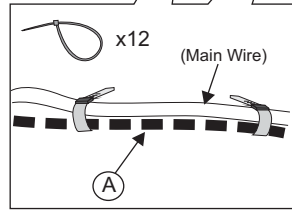
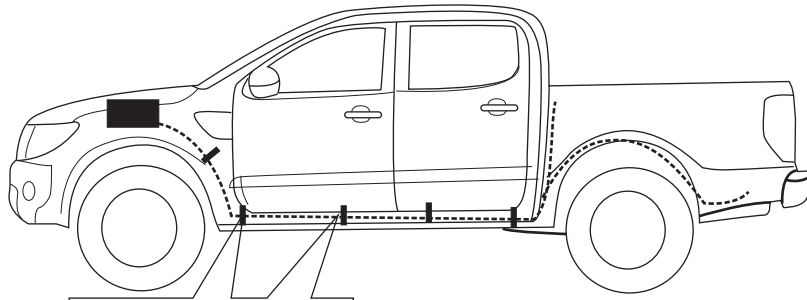
WIRING-DIAGRAM FORD PX-I WITH CENTRAL LOCKING



5.1 "Connecting central lock cables at the fuel door wiring of the vehicle."



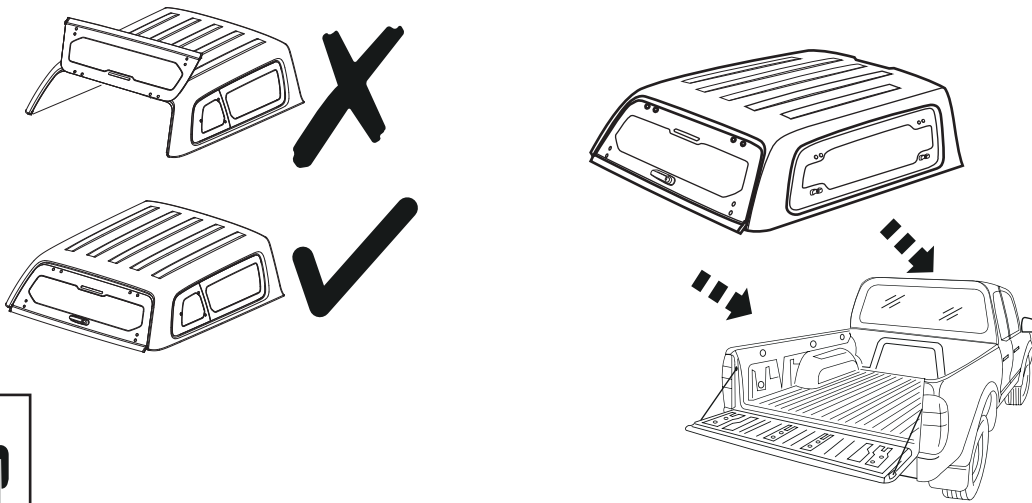
6



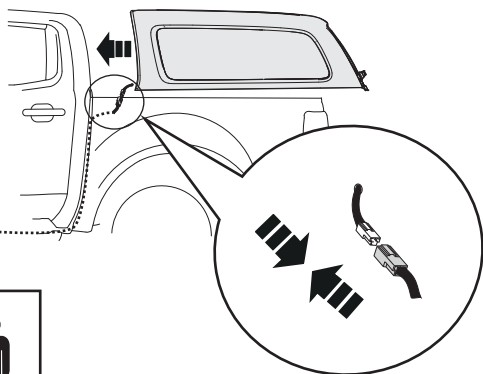
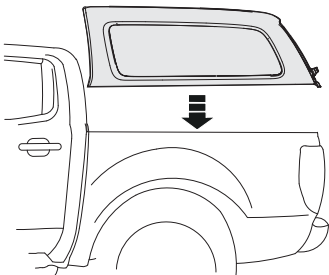
----- = (A) (Canopy Wire)
 _____ = (Main Wire)



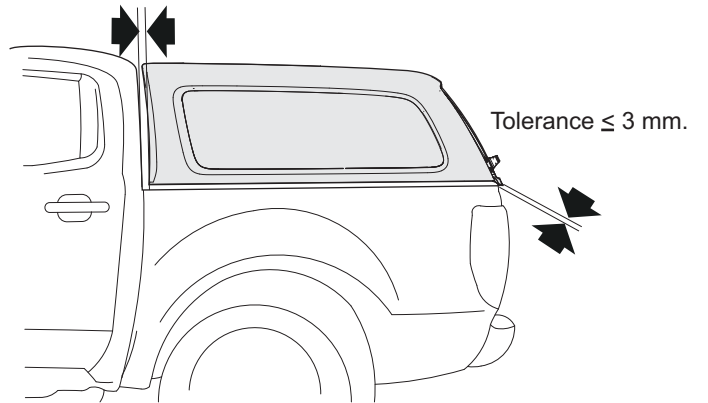
7



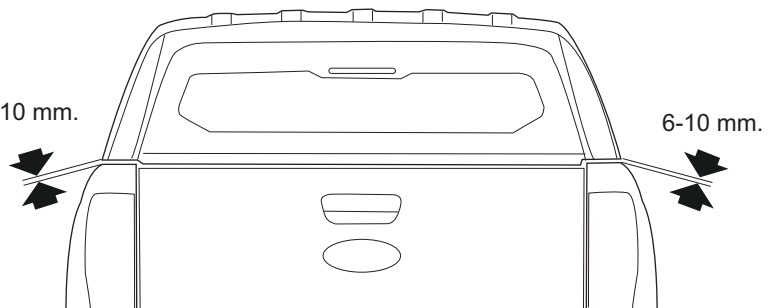
8



Tolerance = ≥ 25 mm.



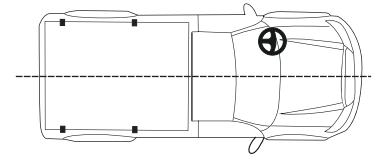
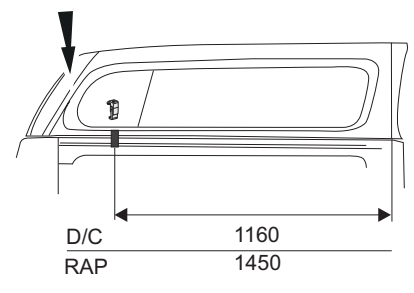
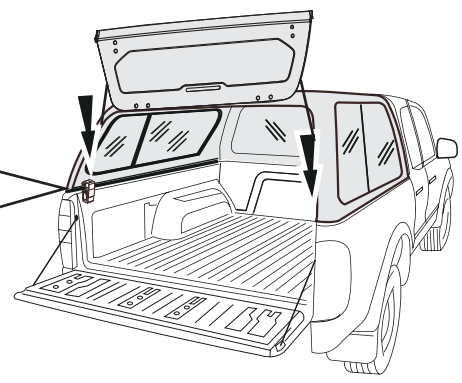
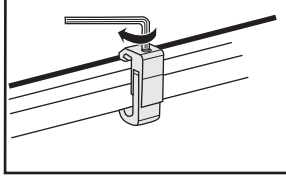
6-10 mm.



A=A

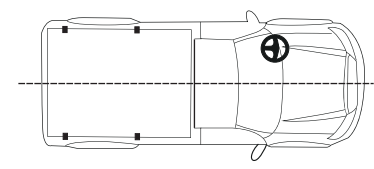
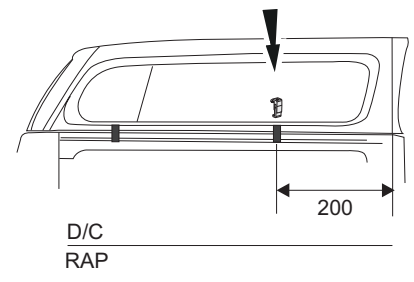
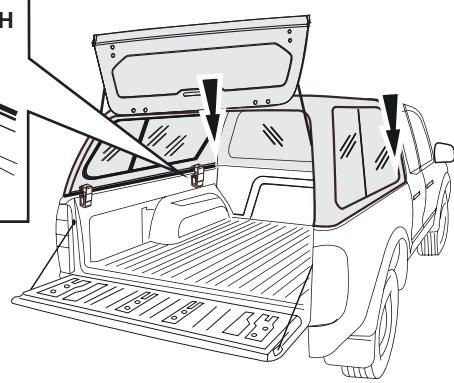
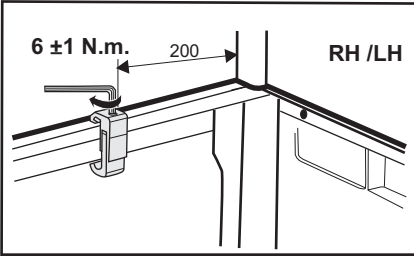
9

6 ±1 N.m. RH / LH



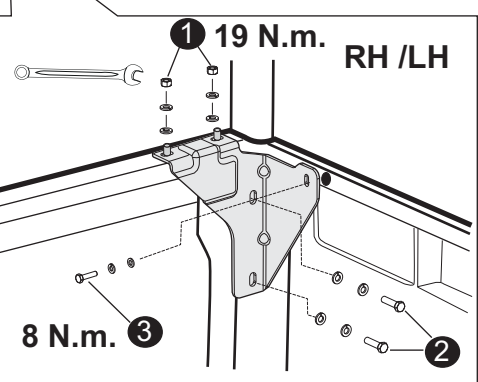
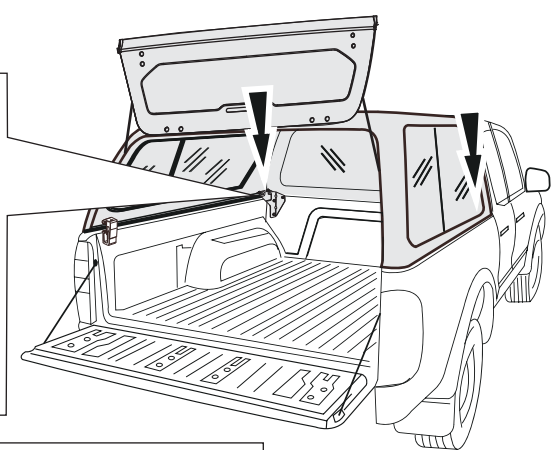
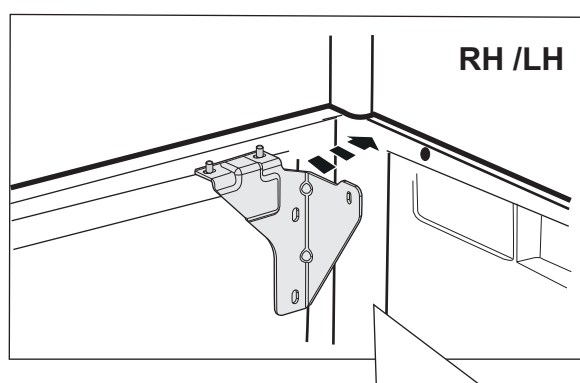
10

6 ±1 N.m. 200 RH / LH

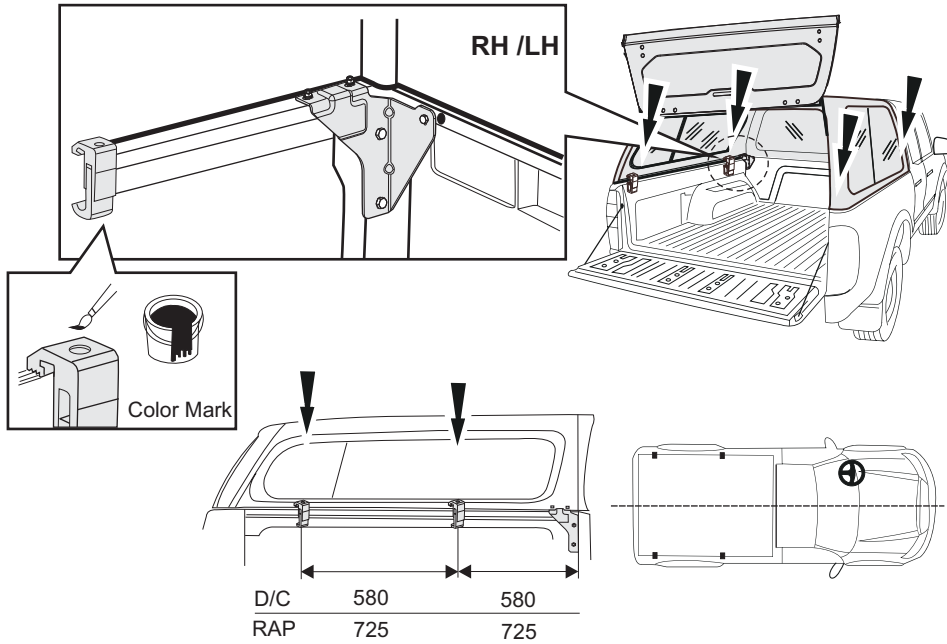


11

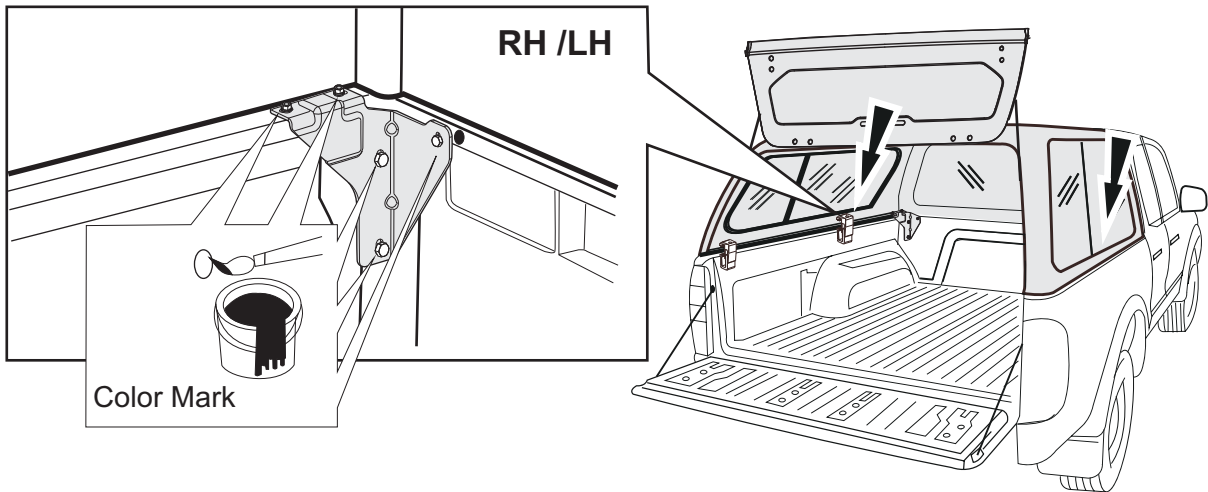
RH / LH



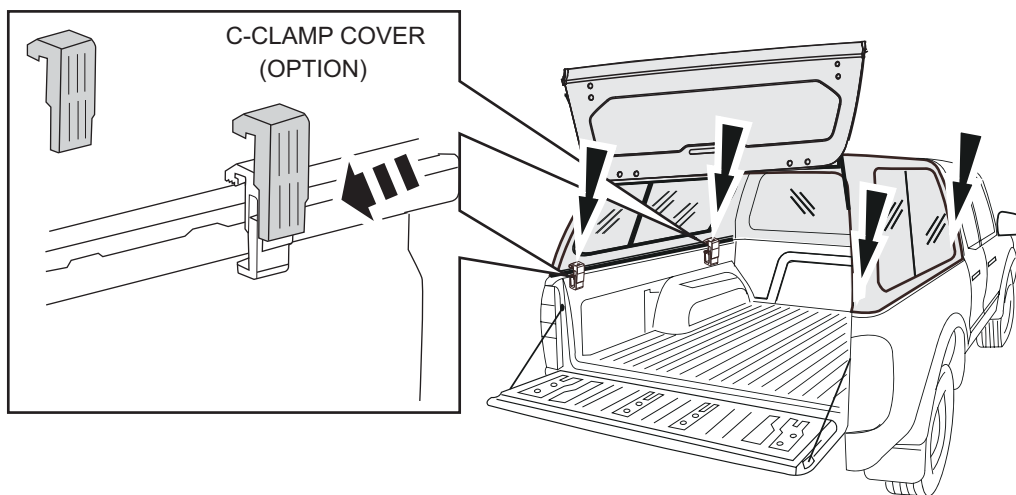
12



13



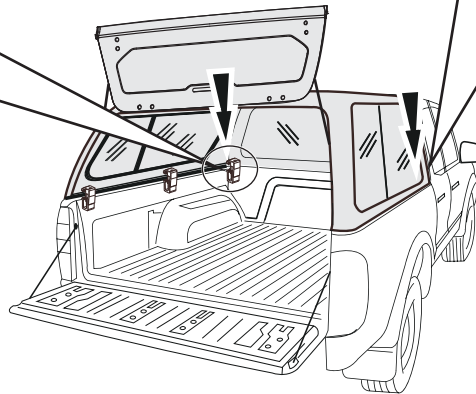
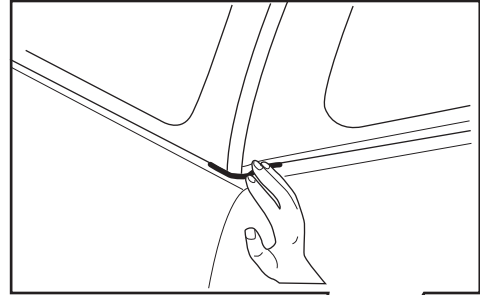
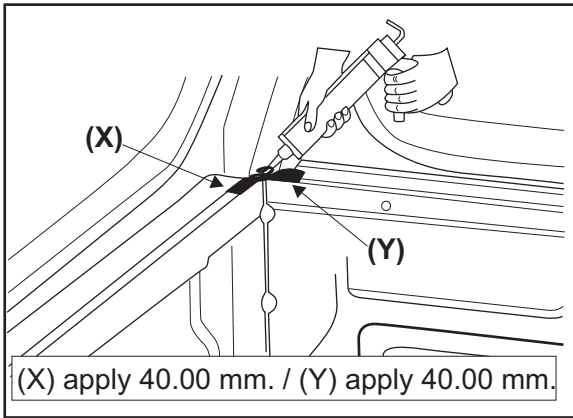
14









ADVICE

Sony Silicone Black No.L6301



C-clamp 2 set+Front bracket

WARNINGS!

 
5000 Km / 3000 Miles  5 mm.  6 Nm.

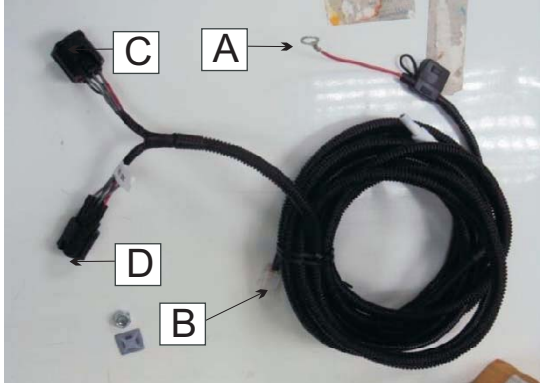


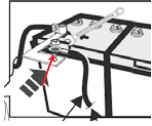
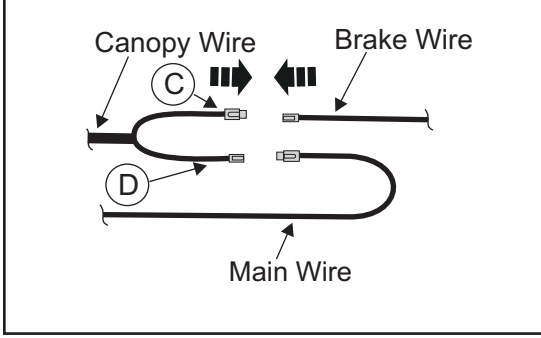

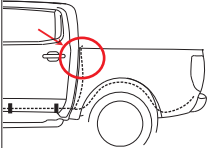
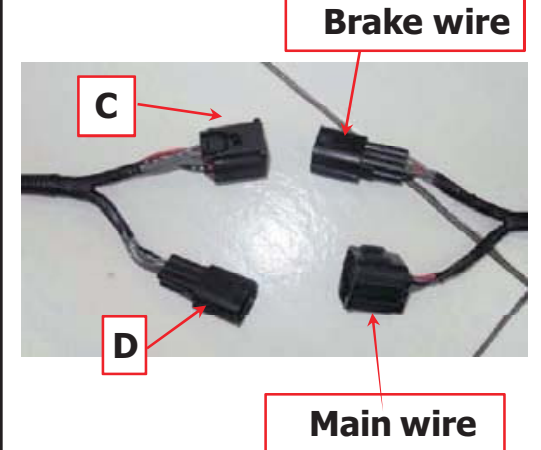

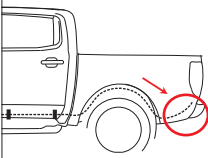
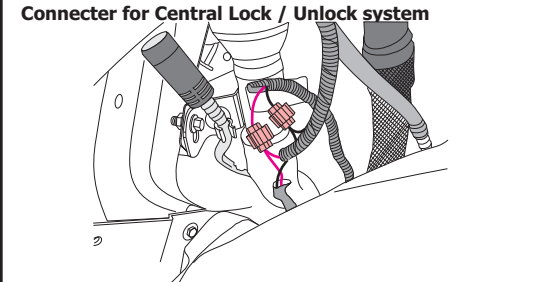

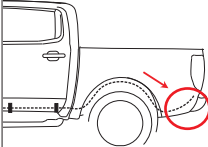
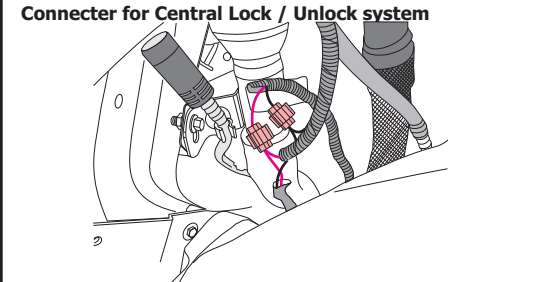

 **WARNING**
Do not drive the vehicle at speed with the tailgate opened


 
5000 Km / 3000 Miles 

 **WARNING**
Heated rear screen should be turned off after defrosting
Not for extended use




Wiring diagram for PX Ranger

Wiring	Point	Photo	Function	Reference maual
	A		Connect with battery Anode and cathode 	
	B		Connect with Canopy	
	C		Connect with main wire For model without cargo box lamp.	
	D		Connect with brake wire For model without cargo box lamp.	
	E		Connect with fuel door Connector for Central Lock / Unlock system	